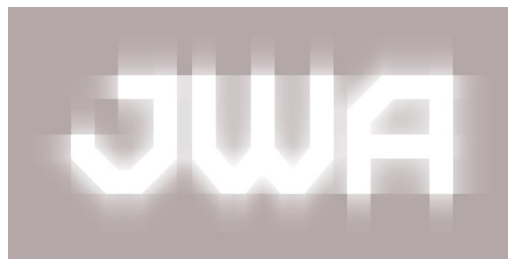
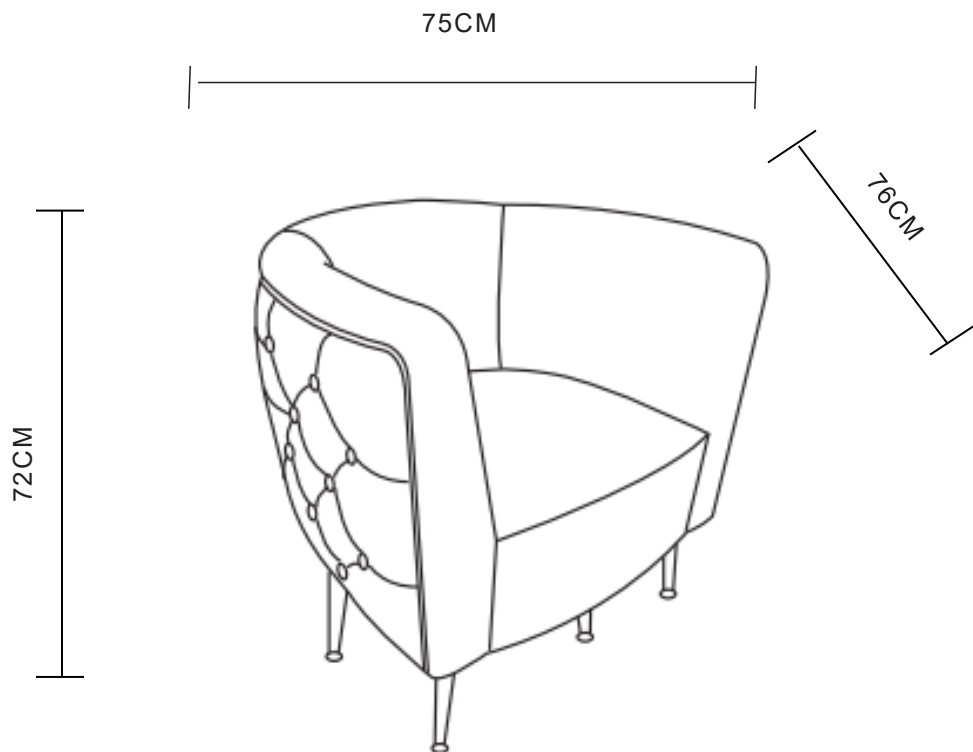


ASSEMBLY INSTRUCTIONS

ACKLEY
TAN ARMCHAIR
ITEM CODE:71556

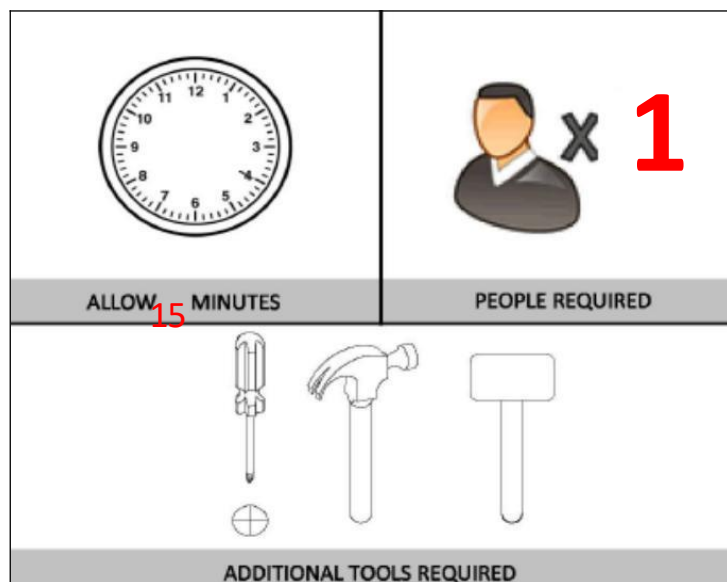


Imported by JWA Furniture Pty Ltd, Qld, Brisbane Australia.
For any assistance with assembly or for missing parts please refer to your receipt



PRE-ASSEMBLY PREPARATION

Before you start:

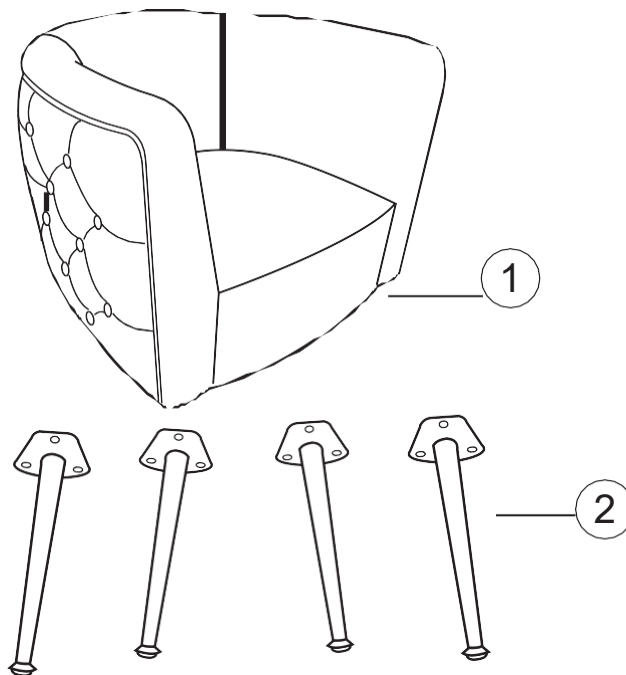
1. Choose a clean, level, spacious assembly area. Avoid hard surfaces that may damage the product
2. Take care when lifting. Product should be assembled as near as possible to the point of use
3. Ensure that you have all required contents for complete assembly
4. Always read the assembly instructions carefully before beginning assembly.
5. Keep all hardware parts and packaging out of reach of small children.
6. Do not over tighten the screws and bolts as this may damage the threads



PARTS LIST

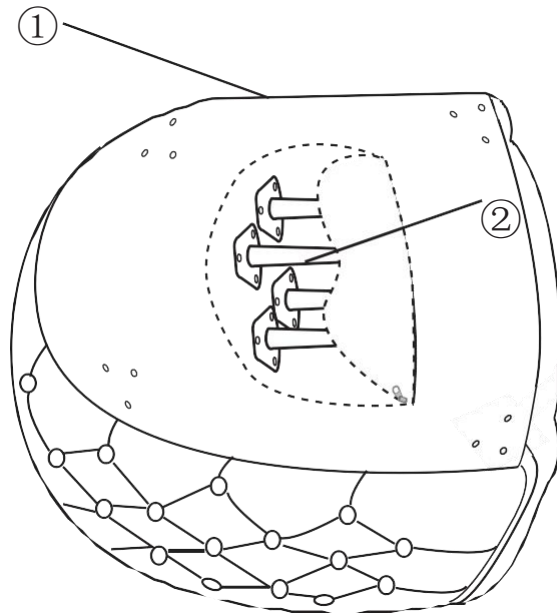
A  M6x25MM X12	B  X1		
--	---	--	--

1	Chair Body
2	Iron Leg



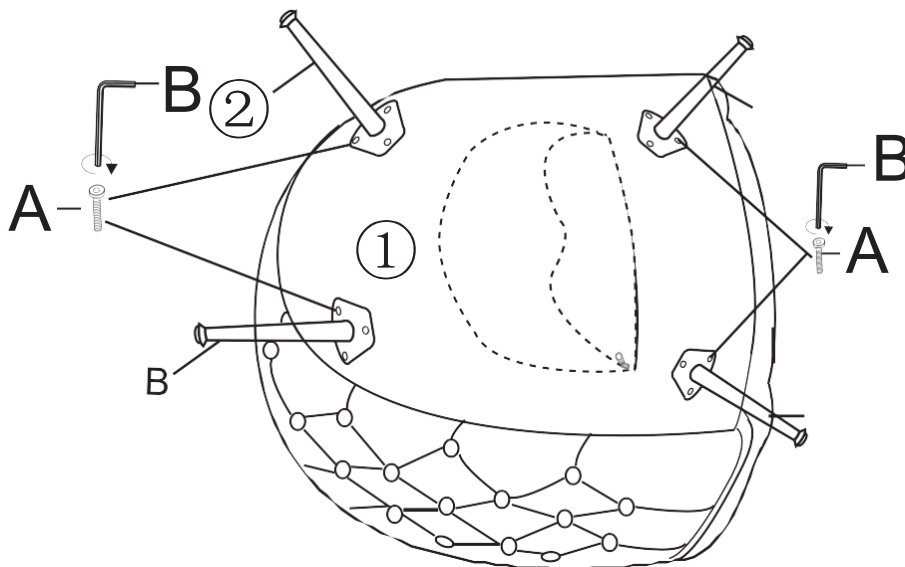
STEP 1:

1. Turn over the chair body ①, open the zipper, and take out the 4 Iron legs ②.



STEP 2:

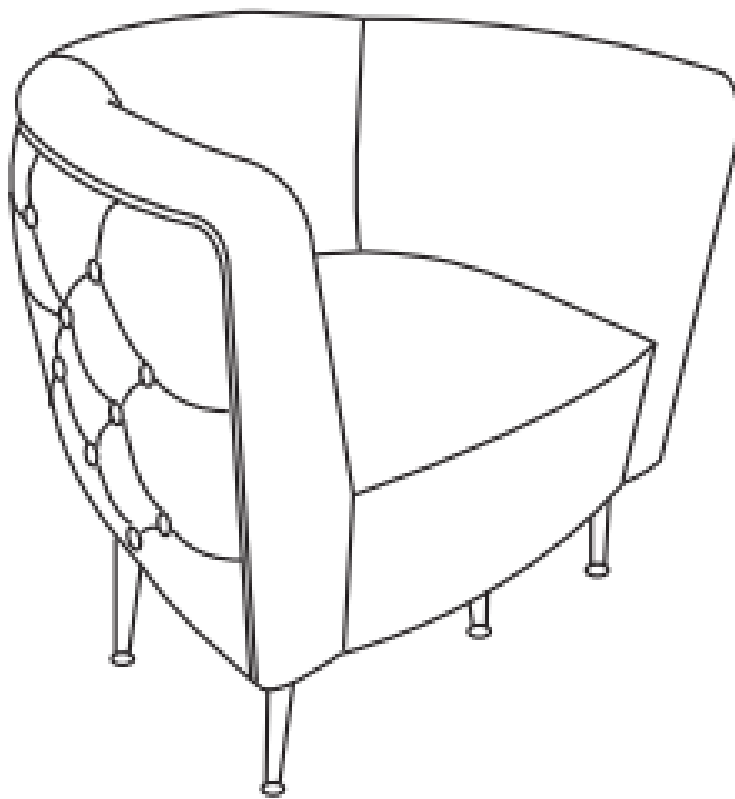
2. Use Screw (A) to fix the iron legs ② onto the chair body ①.



IMPORTANT NOTE:

BEFORE FINALLY TIGHTENING THE BOLTS, PLACE THE ASSEMBLED CHAIR UPRIGHT ON A LEVEL SURFACE AND SIT CAREFULLY ON THE CHAIR TO ENSURE THE CHAIR LEGS ARE ALIGNED AND LEVEL. THEN TIGHTEN ALL BOLTS AND YOUR CHAIR IS READY TO USE.

ASSEMBLY IS COMPLETE



CAUTION:

DO NOT USE THIS PRODUCT AS A STEP STOOL OR LADDER. FAILURE TO FOLLOW THIS WARNING COULD RESULT IN INJURY.

When necessary brush or vacuum away dust and grit. Wipe over with a soft, clean, colourfast cloth

FOR SPOTS AND SPILLS:

- Wipe excess liquid up immediately with an absorbent cloth or sponge

FOR OVERALL CLEANING:

- We recommend cleaning every 3-4 months with leather cleaner followed by applications of leather protector
- Always follow directions on packs

NOTES:

- Accumulation of perspiration and body oils on arm pads, headrests, etc. may damage your leather. These areas may require more frequent cleaning
- Leather is not recommended for users on frequent medication. Particularly heart, blood pressure, diabetes or chemotherapy medication. This medication can seep through the skin and when combined with perspiration, attacks the protective polyurethane coating of the leather
- Leather is a natural product and any stress may result in tears. Additionally when stretched the leather might not completely return to its original shape. Therefore when leather is used more intensively it may become loose over time
- If cushions are sewn to the frame, any pulling or tugging might result in a tear. Please avoid any leaning, sitting or reaching over the back/arms of the sofa
- To keep your cushions looking fluffy and new, use seating evenly
- Leather is not resistant to animals. Allowing pets on your leather is not recommended. Their claws and jaws may scratch the covers, which can lead to expensive repair. Their saliva is acidic and may also harm the leather finish

DO NOT:

- Dry clean or machine wash
- Expose leather to direct sunlight, intensive heat, weather or soak unnecessarily. Always avoid excessive hard rubbing
- Use saddle soap, detergents, solvents, abrasives, unidentified leather cleaners, suede cleaners or any products containing silicon or solvents
- Use silicone based leather care products. These can damage the coating over time. Any leather care product with an oily or greasy feel should be avoided
- Expose leather to new clothing, cushions or throws as this may lead to dye transfer and permanent staining. Ensure these items are colourfast before placing them on the leather